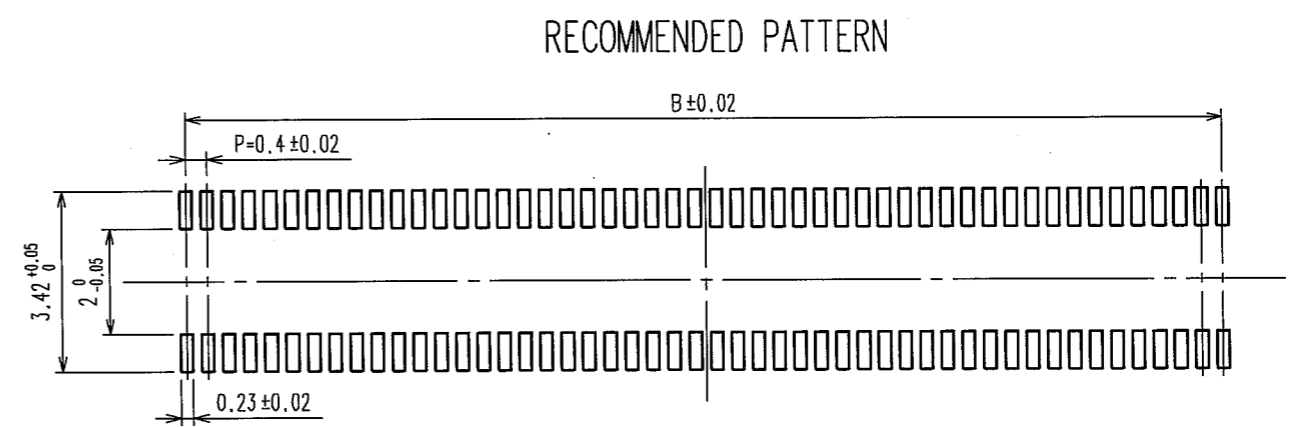
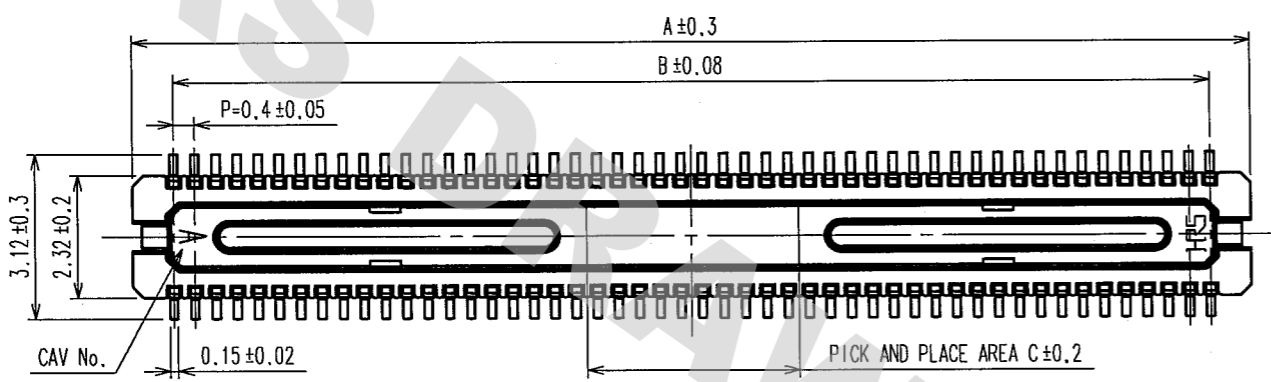


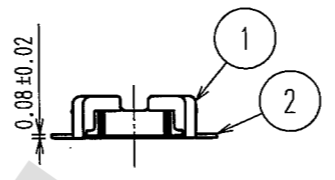
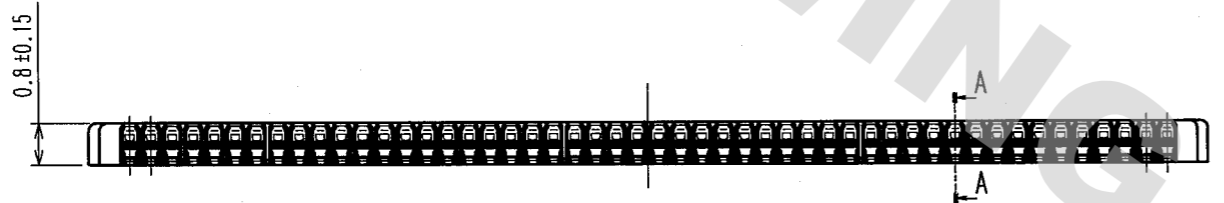
DRAWING FOR REFERENCE: This is subject to change without notice
08/11/2012

COUNT		DESCRIPTION OF REVISIONS	BY	CHKD	DATE	COUNT		DESCRIPTION OF REVISIONS	BY	CHKD	DATE
△						△					
△						△					
△						△					

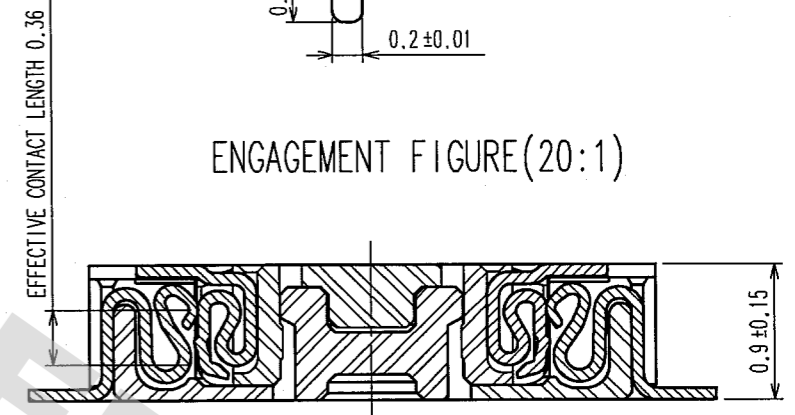
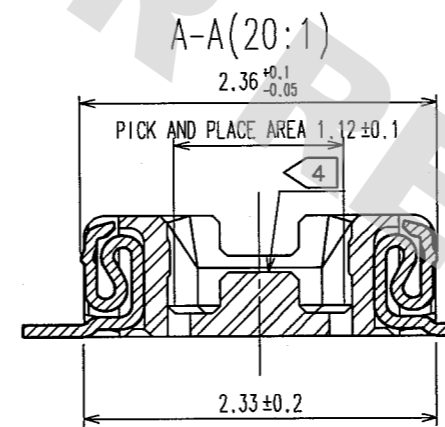
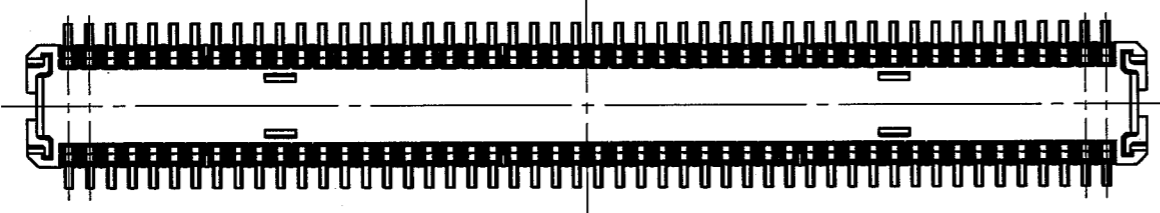
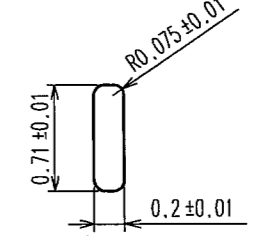
A
B
C
D
E
F



RECOMMENDED SOLDER PASTE: THICKNESS 120μm



RECOMMENDED METAL MASK OPENING DIMENSIONS FOR LEAD PAD (20:1)



- NOTE 1. ALL LEADS CO-PLANARITY SHALL BE 0.1 MAX.
 2. PER REEL : 1000 CONNECTORS.
 3. AT THE BEGINNING OF THE REEL, 100 MM AT MIN SHALL BE EMPTY POCKETS.
 AT THE END OF THE REEL, 160 MM AT MIN SHALL BE EMPTY POCKETS.
 4 NO CAVITY ON THE CONNECTORS LESS THAN 24 POS.
 5 CONTACT PLATING SPECIFICATIONS.
 CONTACT AREA : GOLD 0.05μm MIN.
 SMT LEAD : GOLD 0.02μm MIN.
 UNDERPLATING : NICKEL 1μm MIN.
 (SURFACE : SEALING)

PART NO.	CODE NO.	A	B	C
DF30FC-80DP-0.4V(82)	CL684-1144-9-82	17.14	15.6	3.2
DF30FC-70DP-0.4V(82)	CL684-1077-3-82	15.14	13.6	2.8
DF30FC-60DP-0.4V(82)	CL684-1083-6-82	13.14	11.6	2.4
DF30FC-50DP-0.4V(82)	CL684-1143-6-82	11.14	9.6	2
DF30FC-40DP-0.4V(82)	CL684-1079-9-82	9.14	7.6	1.6
DF30FC-34DP-0.4V(82)	CL684-1142-3-82	7.94	6.4	1.36
DF30FC-30DP-0.4V(82)	CL684-1141-0-82	7.14	5.6	1.2
DF30FC-24DP-0.4V(82)	CL684-1140-8-82	5.94	4.4	1.2
DF30FC-22DP-0.4V(82)	CL684-1139-9-82	5.54	4.0	1.2
DF30FC-20DP-0.4V(82)	CL684-1138-6-82	5.14	3.6	1.2

2	PHOSPHOR BRONZE	5	4	POLYESTER	CLEAR(COVER TAPE)	
1	LCP	UL94V-0, BLACK	3	PS	CLEAR(EMBOSSED CARRIER TAPE)	
NO.	MATERIAL	FINISH, REMARKS	NO.	MATERIAL	FINISH, REMARKS	
CODE NO. (OLD)		DRAWN	DESIGNED	CHECKED	APPROVED	RELEASED
		T.NISHI	K. Midorikawa	H. Okada	J. Ota	
		04.08.25	04.08.25	04.08.25		
DRAWING NO. EDC3-303555-05			PART NO. DF30FC-*DP-0.4V(82)			
UNITS mm			CODE NO. CL684-****-*-82		1/2	

