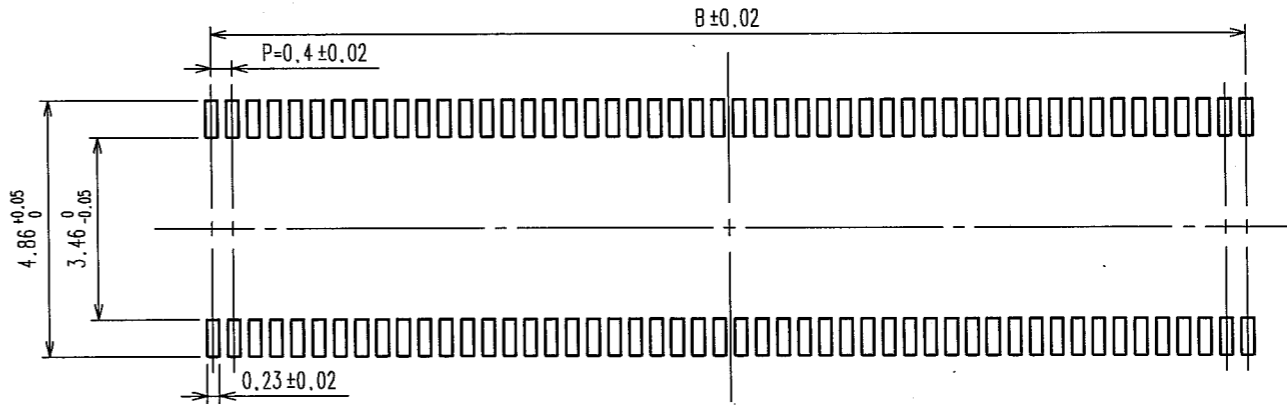
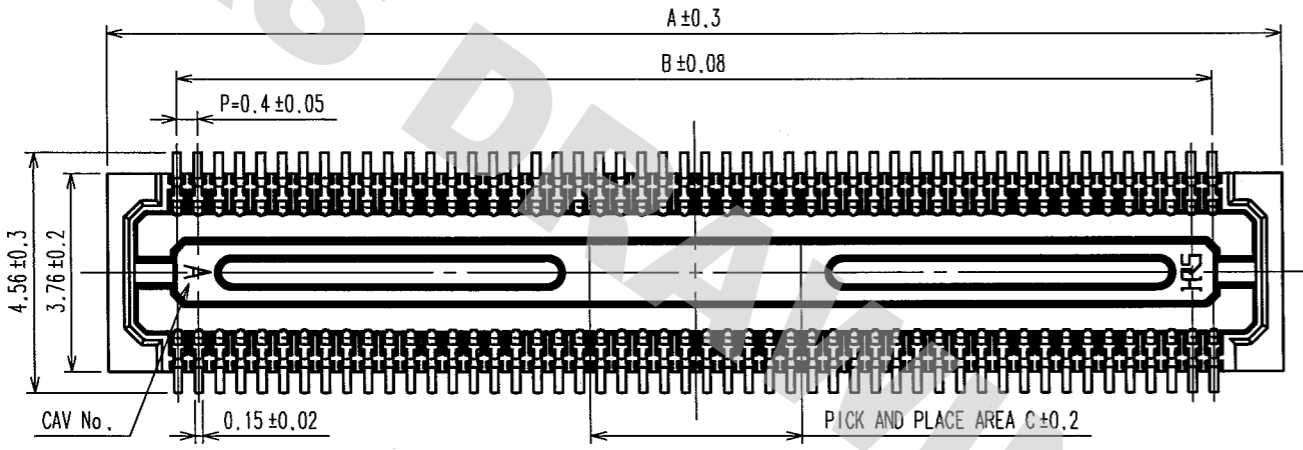


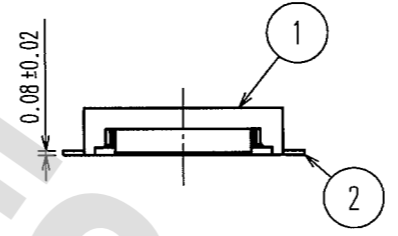
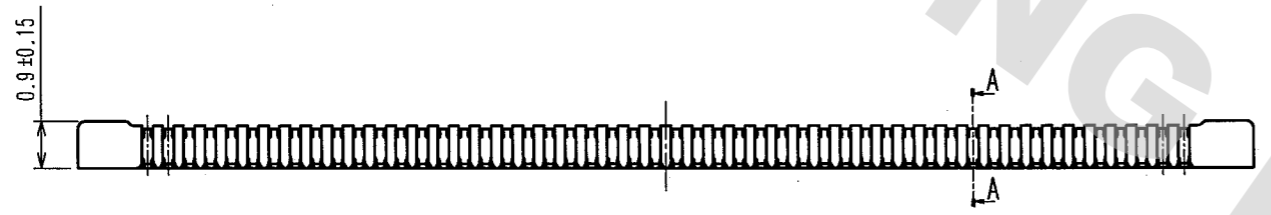
DRAWING FOR REFERENCE: This is subject to change without notice
08/11/2012

5		6			7			8		
COUNT	DESCRIPTION OF REVISIONS	BY	CHKD	DATE	COUNT	DESCRIPTION OF REVISIONS	BY	CHKD	DATE	

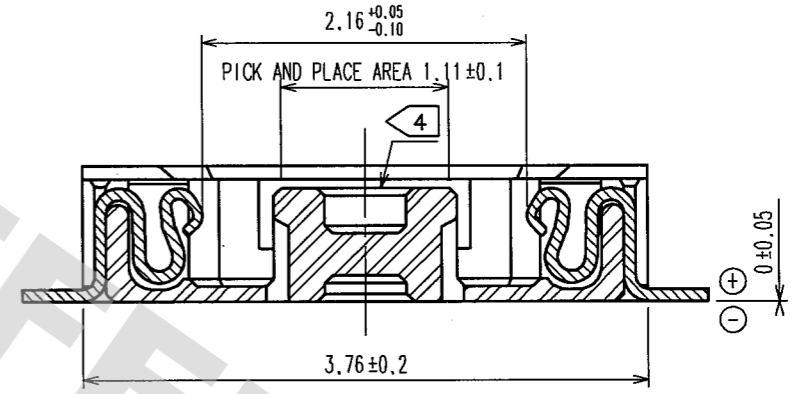
RECOMMENDED PATTERN



RECOMMENDED SOLDER PASTE: THICKNESS 120μm



A-A (20:1)



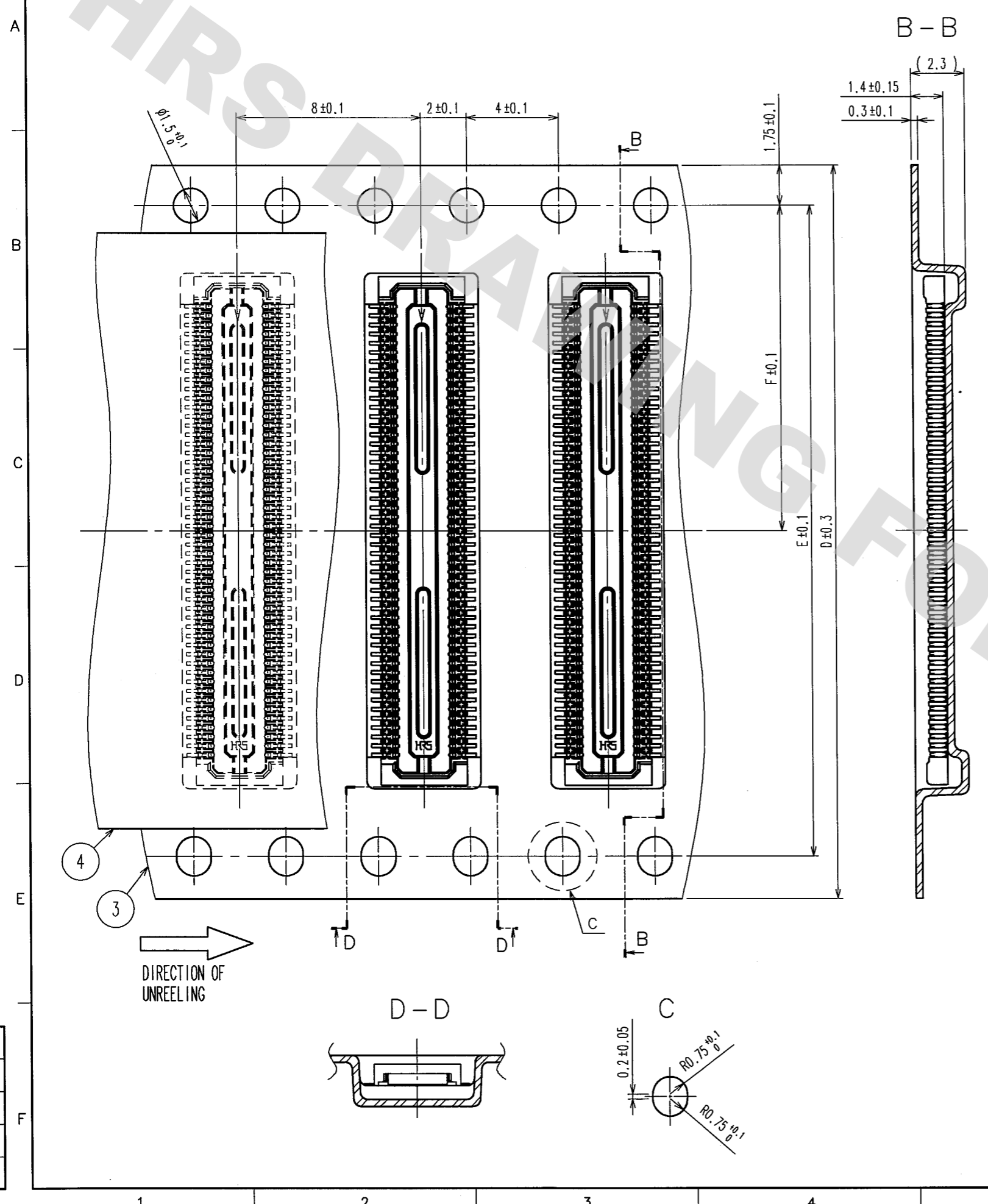
- NOTE 1. ALL LEADS CO-PLANARITY SHALL BE 0.1 MAX.
 2. PER REEL : 1000 CONNECTORS.
 3. AT THE BEGINNING OF THE REEL, 100 MM AT MIN SHALL BE EMPTY POCKETS.
 AT THE END OF THE REEL, 160 MM AT MIN SHALL BE EMPTY POCKETS.
 4 NO CAVITY ON THE CONNECTORS LESS THAN 24 POS.
 5 CONTACT PLATING SPECIFICATIONS.
 CONTACT AREA : GOLD 0.05μm MIN.
 SMT LEAD : GOLD 0.02μm MIN.
 UNDERPLATING : NICKEL 1μm MIN.
 (SURFACE : SEALING)

PART NO.	CODE NO.	A	B	C
DF30FC-80DS-0.4V(82)	CL684-1116-3-82	18.22	15.6	3.2
DF30FC-70DS-0.4V(82)	CL684-1115-0-82	16.22	13.6	2.8
DF30FC-60DS-0.4V(82)	CL684-1082-3-82	14.22	11.6	2.4
DF30FC-50DS-0.4V(82)	CL684-1114-8-82	12.22	9.6	2
DF30FC-40DS-0.4V(82)	CL684-1078-6-82	10.22	7.6	1.6
DF30FC-34DS-0.4V(82)	CL684-1113-5-82	9.02	6.4	1.36
DF30FC-30DS-0.4V(82)	CL684-1112-2-82	8.22	5.6	1.2
DF30FC-24DS-0.4V(82)	CL684-1111-0-82	7.02	4.4	1.2
DF30FC-22DS-0.4V(82)	CL684-1110-7-82	6.62	4.0	1.2
DF30FC-20DS-0.4V(82)	CL684-1109-8-82	6.22	3.6	1.2

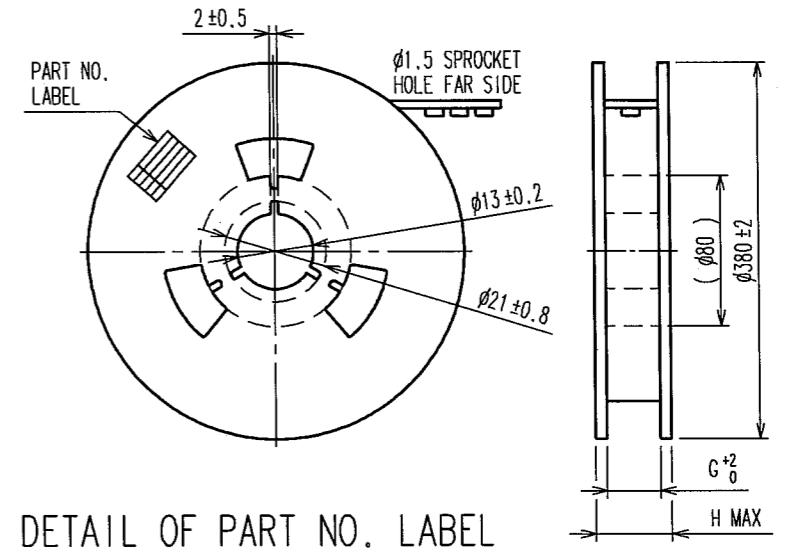
2	PHOSPHOR BRONZE	5	4	POLYESTER	CLEAR(COVER TAPE)	
1	LCP	UL94V-0, BLACK	3	PS	CLEAR(EMBOSSED CARRIER TAPE)	
NO.	MATERIAL	FINISH, REMARKS	NO.	MATERIAL	FINISH, REMARKS	
CODE NO. (OLD)		DRAWN	DESIGNED	CHECKED	APPROVED	RELEASED
		T. NISHI	K. Misukawa	K. Akeda	J. Ota	
		040825	04.08.25	04.08.25	04.08.25	
SCALE		DRAWING NO.		PART NO.		
FREE		EDC3-303556-05		DF30FC-*DS-0.4V(82)		
UNITS		HRS		CODE NO.		
mm		HIROSE ELECTRIC CO., LTD		CL684-*****-82		
					1/2	

DRAWING FOR REFERENCE: This is subject to change without notice
08/11/2012

COUNT	DESCRIPTION OF REVISIONS	BY	CHKD	DATE	COUNT	DESCRIPTION OF REVISIONS	BY	CHKD	DATE



STYLE AND DIMENSION OF REEL (FREE)



DETAIL OF PART NO. LABEL

SUPPLIER QUANTITY
PART NO.
CODE NO.
DATE OF MANUFACTURED

生産月日	年 月 日
図番	CL684-*****-82
品名	DF30FC-*DS-0.4V(82)
納入数量	1000個
納入者	ヒロセ電機(株)

PART NO.	CL NO.	D	E	F	G	H
DF30FC-80DS-0.4V(82)	CL684-1116-3-82	32	28.4	14.2	32.4	38.4
DF30FC-70DS-0.4V(82)	CL684-1115-0-82	24	-	11.5	24.4	30.4
DF30FC-60DS-0.4V(82)	CL684-1082-3-82	24	-	11.5	24.4	30.4
DF30FC-50DS-0.4V(82)	CL684-1114-8-82	24	-	11.5	24.4	30.4
DF30FC-40DS-0.4V(82)	CL684-1078-6-82	24	-	11.5	24.4	30.4
DF30FC-34DS-0.4V(82)	CL684-1113-5-82	16	-	7.5	16.4	22.4
DF30FC-30DS-0.4V(82)	CL684-1112-2-82	16	-	7.5	16.4	22.4
DF30FC-24DS-0.4V(82)	CL684-1111-0-82	16	-	7.5	16.4	22.4
DF30FC-22DS-0.4V(82)	CL684-1110-7-82	16	-	7.5	16.4	22.4
DF30FC-20DS-0.4V(82)	CL684-1109-8-82	16	-	7.5	16.4	22.4

TO

CODE NO. (OLD)	DRAWN	DESIGNED	CHECKED	APPROVED	RELEASED
	T. NISHI	K. Murokawa	K. Ikeda	J. Awa	
	040825	04-08-25	04-08-25	04-08-25	
SCALE	DRAWING NO.	PART NO.			
5 : 1	EDC3-303556-05	DF30FC-*DS-0.4V(82)			
UNITS	HRS	CODE NO.			
mm	HIROSE ELECTRIC CO., LTD	CL684-*****-82		2	